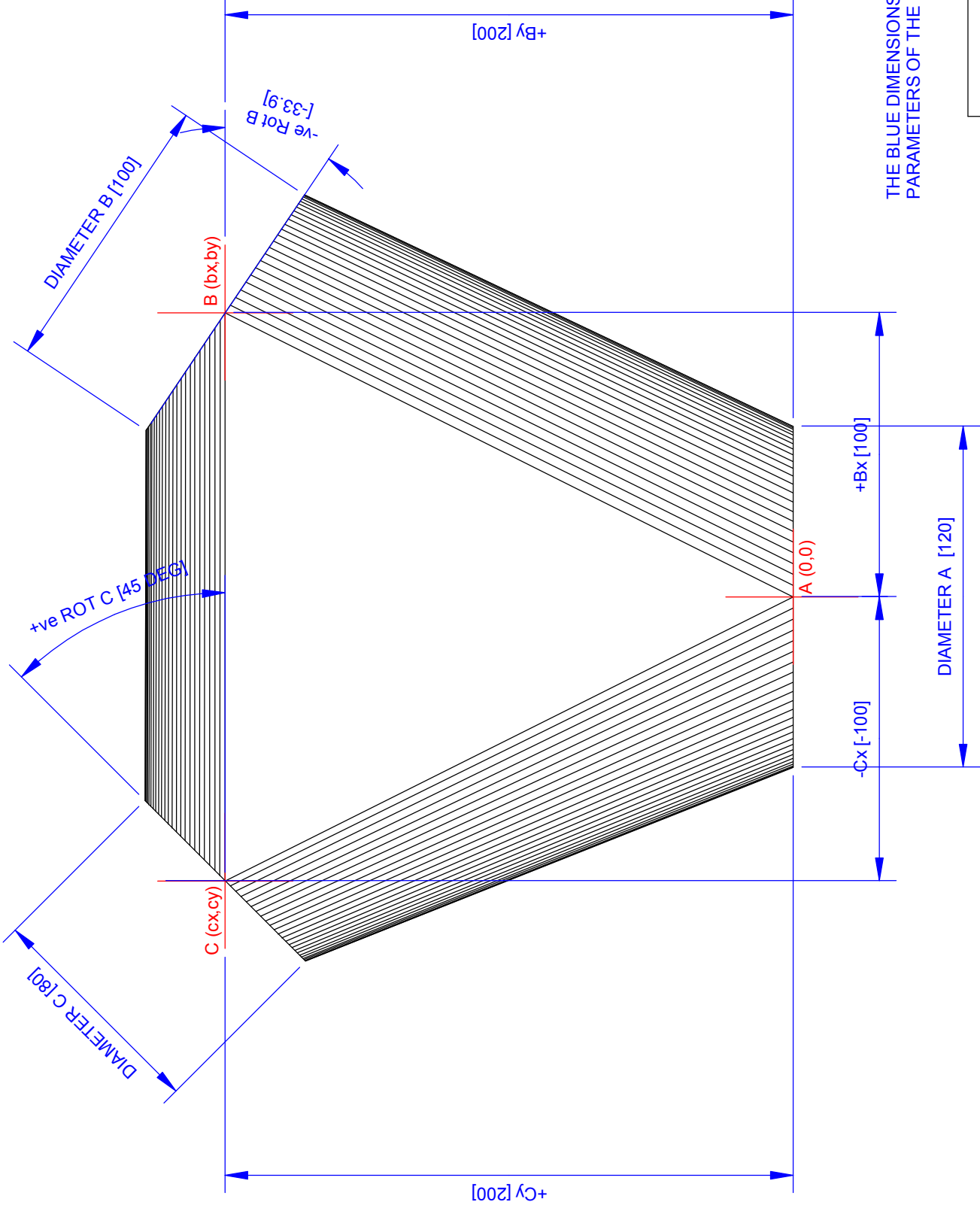




3D EXPORT FROM THE  
BRANCH PIECE BETA 1  
SOFTWARE



THE BLUE DIMENSIONS ARE USER DEFINABLE  
PARAMETERS OF THE BRANCH PIECE BETA 1 SOFTWARE

2D DXF EXPORT FROM THE  
BRANCH PIECE BETA 1 SOFTWARE

SCALE 1:2 @ A4	Branch Piece Test 1
DRN. TH	DRAWING NUMBER
DATE 08/01/09	BPTTEST1

224

