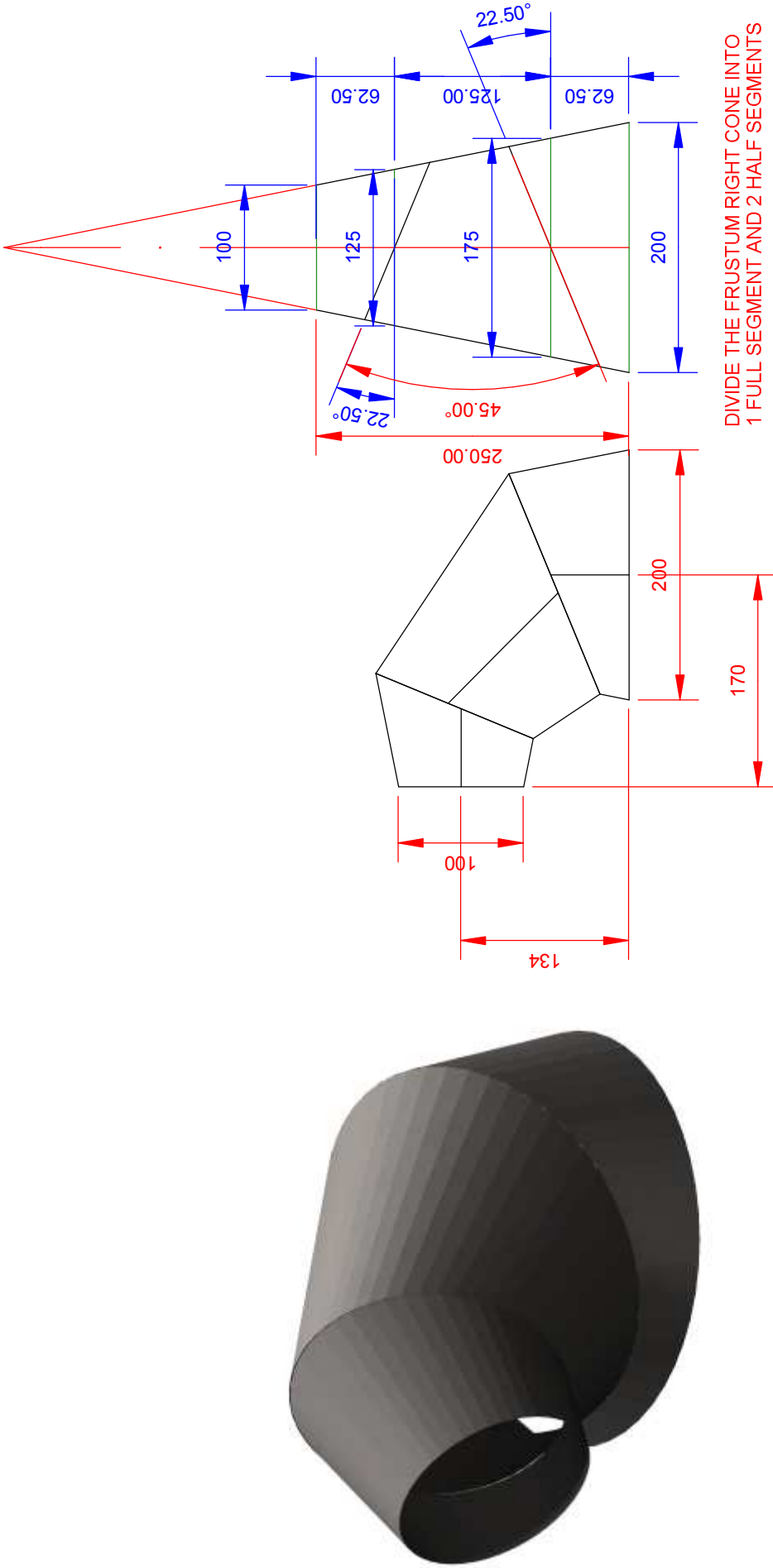


THE DIMS COLOURED BLUE ARE THE PARAMETERS ENTERED INTO CONET12



DIVIDE THE FRUSTUM RIGHT CONE INTO
1 FULL SEGMENT AND 2 HALF SEGMENTS

$$250/2 = 125$$

$$125/2 = 62.5$$